

GB PR150 · PR200 · PR250

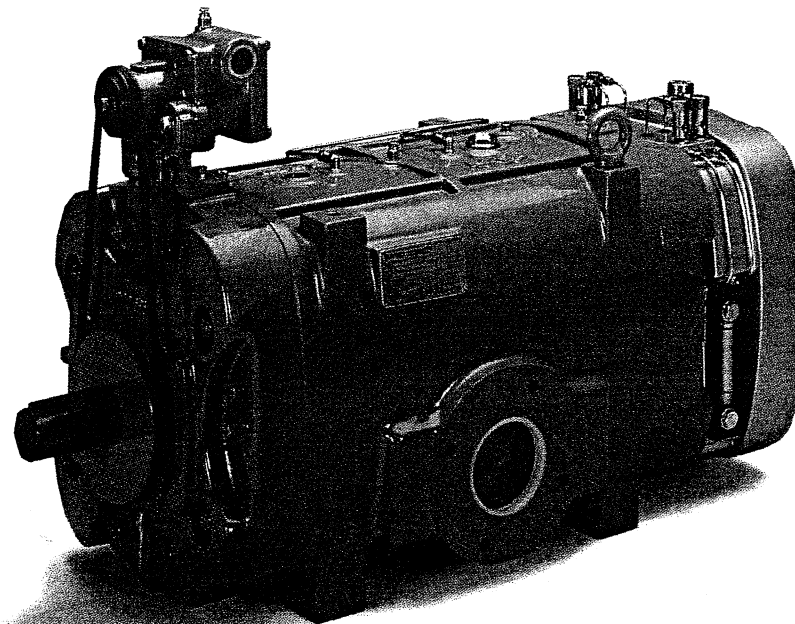
MOD. PR 200

SERIAL No. : H70048

YEAR: 2007

MAX PRESS. (bar) : 1 REL

MAX SPEED (RPM): 1200



Maintenance manual
Water cooled
vacuum pumps

Modello	Data di emissione	Revisione n°	Data di revisione	Compiato da	Visionato da
PR 150-200-250/gb	01.01.02	01	01.01.02	U.T.	A.T.

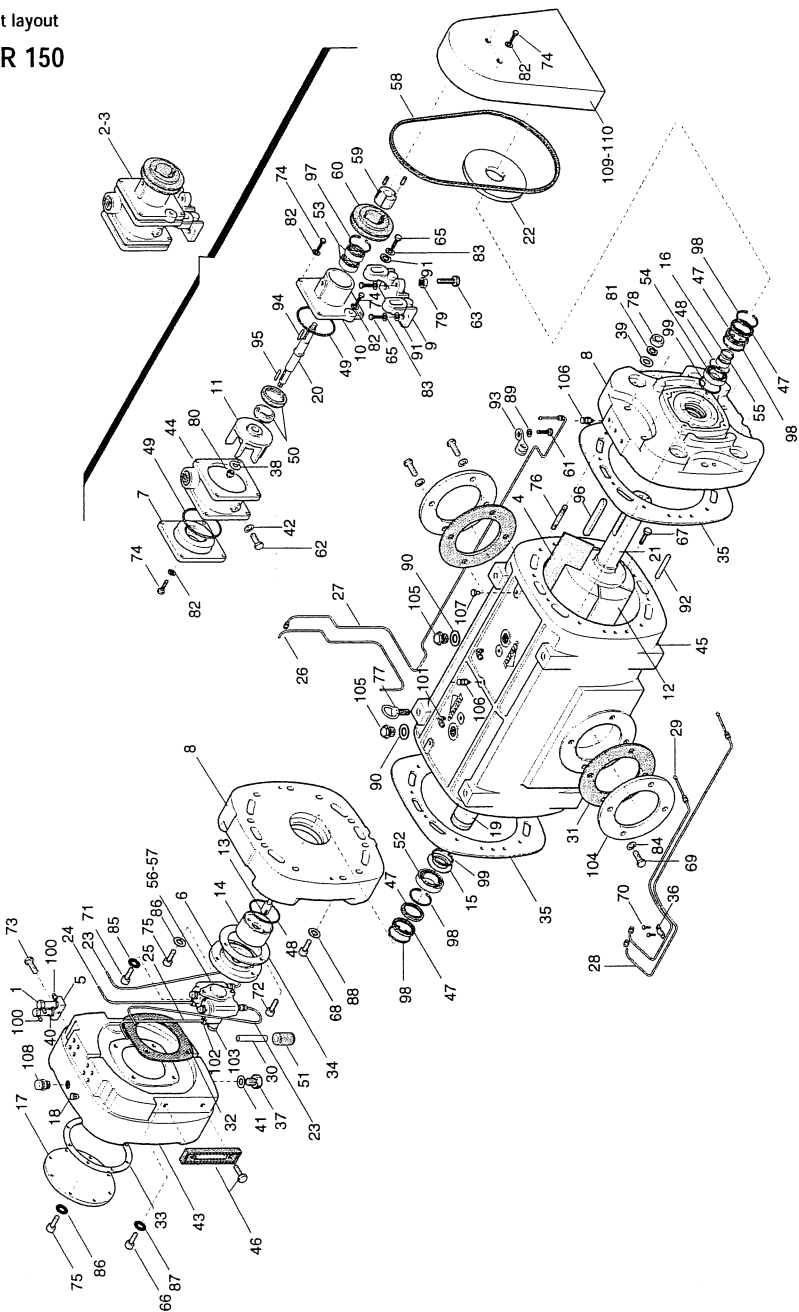
Juop
PORDENONE

Juop Spa

Via Pordenone, 51
33062 Zanzi D'Alm (PN) Italia
Telefono: +39 0434 67488
Telefax: +39 0434 673612
http://www.juop.it
e-mail: info@juop.it

Juop
PORDENONE

5.2 Part list layout
Mod. PR 150

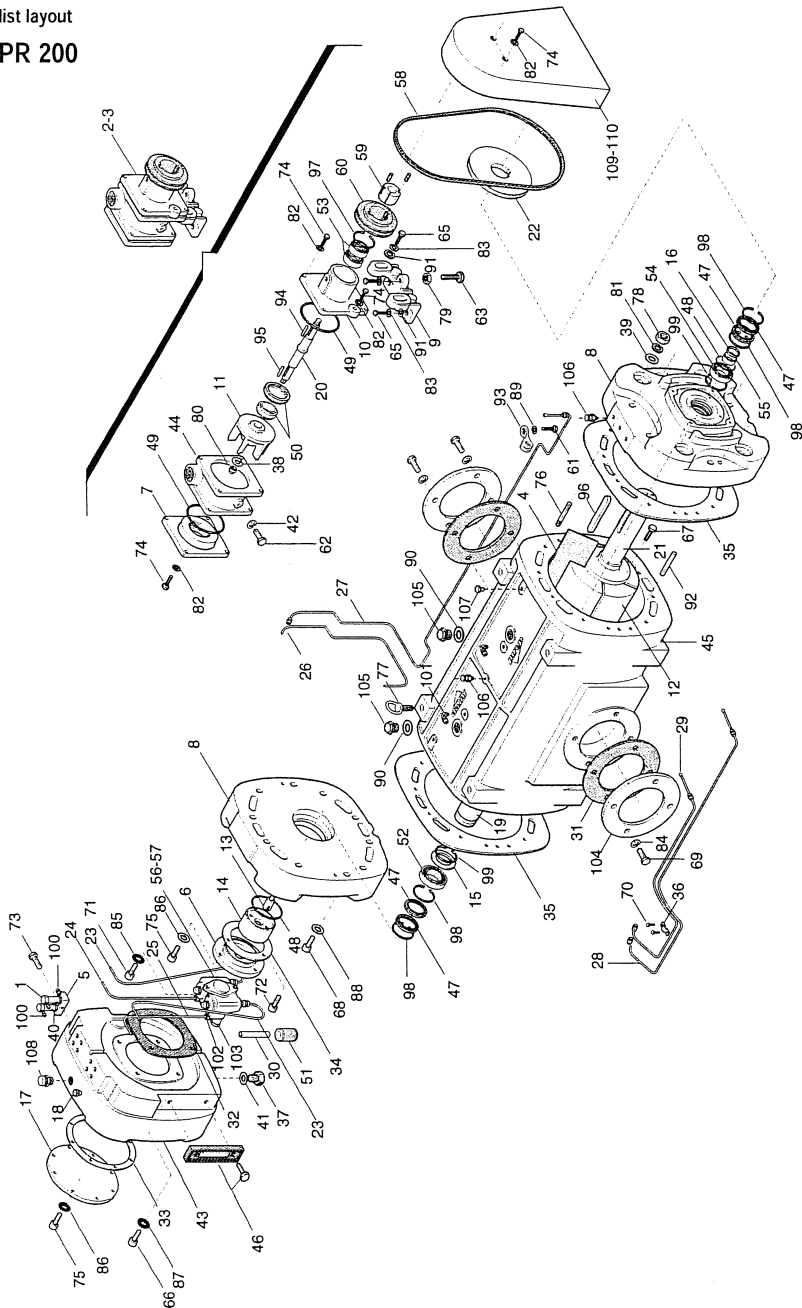


Part list mod. PR 150

Pos.	Code	Description	Qty	Pos.	Code	Description	Qty
1	1401200700	Drip oiler	4	57	4024250500	Oil pump 4 outlets CCW	1
2	1407200800	Water recycling pump cw	1	58	4025350021	Belt SPZ 975 texrope	1
3	1407200900	Water recycling pump ccw	1	59	4025422300	Cone bushing 2820 Ø 16	1
4	1601605000	Vane PR150	6	60	4025422402	Pulley SPZ 71x1	1
5	1608100600	Oil block	2	61	4026101301	Screw 4.8 M 6x10	1
6	1610015200	Oil pump flange	1	62	4026101403	Screw 4.8 M 8x10	1
7	1610506500	Water pump rear flange	1	63	4026102914	Screw 8.8 M 10x60	1
8	1610506900	End plate	2	65	4026107214	Screw 8.8 M 10x40 5739	4
9	1613500900	Water pump support bracket	1	66	4026107311	Screw 8.8 M 12x30 5739	4
10	1613501000	Water pump front flange	1	67	4026141609	Screw 10.9 M 10x35 5739	12
11	1621502800	Water pump impeller	1	68	4026107306	Screw 8.8 M 12x16	4
12	1621503100	Vacuum pump PR 150 rotor	1	69	4026107514	Screw 8.8 M 16x40	8
13	1622004100	Oil pump pivot	1	70	4026120100	Screw 8.8 M 4x8	2
14	1624013300	Oil pump drive bushing	1	71	4026120300	Screw 8.8 M 6x14 5931	2
15	1624013400	Spacer 85x72x4	1	72	4026120303	Screw 8.8 M 6x20 5931	2
16	1624013200	Spacer 52x45x4	1	73	4026120306	Screw 8.8 M 6x30	2
17	1640100900	Oil tank lid	1	74	4026120401	Screw 8.8 M 8x16	10
18	1642600000	Oil line protection	4	75	4026120403	Screw 8.8 M 8x20 5931	11
19	16500010900	Rear shaft PR150	1	76	4026171117	Stud screw 8.8 M 10x80	20
20	1650009700	Water pump shaft	1	77	4026190002	Eye bolt M 16	2
21	1650010800	Front shaft PR150	1	78	4026301601	Nut M10 5587	20
22	1653502100	Water pump pulley SPZ 150x1	1	79	4026308006	Nut M10 5588	1
23	1663031600	Oil line pump/drip oiler	2	80	4026322106	Nut M12 sp.	1
24	1663031700	Oil line pump/drip oiler	1	81	4026350506	Grower washer 10	20
25	1663031800	Oil line pump/drip oiler	1	82	4026350505	Grower washer 8	10
26	1663031900	Oil line rear bearing	1	83	4026350608	Grower washer 10 1751	4
27	1663032000	Oil line front bearing	1	84	4026350611	Grower washer 16 1751	8
28	1663032100	Oil line housing front	1	85	4026350908	Washer M 6 6798	2
29	1663032200	Oil line housing rear	1	86	4026350909	Washer M 8 6798	11
30	1663032300	Oil line suction pipe Ø 6	1	87	4026350911	Washer M 12	4
31	1680607200	Inlet/outlet gasket	2	88	4026356107	Flat washer M 12	4
32	1680607300	Oil tank gasket	1	89	4026357003	Flat washer M 6	1
33	1680706100	Oil lid gasket	1	90	4026359001	Washer 40x33,5x1,5 AL	3
34	1680705900	Oil pump flange gasket	1	91	4026357006	Flat washer M 10	6
35	1680706000	Housing gasket	2	92	4026401812	Pin 10x60 M 6	4
36	1682000800	Pipeline fixing strip	1	93	4026426703	Rubber strip Ø 6,5	1
37	1684000000	Oil draining tap 3/8"	1	94	4026500605	Tab 5x5x18	1
38	1685002400	Safety washer	1	95	4026500609	Tab 5x5x28	1
39	1685003500	Washer 35x10,5x6	20	96	4026501508	Tab 14x9x90	1
40	1685100000	Drip oiler washer AL 14X20X1,5	4	97	4026510525	Seeger ring I 142 7437	1
41	1685100200	Flat washer AL 17X22X1,5	1	98	4026510540	Seeger ring I 72 7437	4
42	1685100800	Washer Ø 8 AL	1	99	4026510545	Seeger ring I 85 7437	2
43	1687100900	Oil tank	1	100	4026702000	Univ. connection 4x1/8" 1050	12
44	1687504500	Water pump housing PR	1	101	4026706001	Univ. connection 90° 4x1/4" 1020	2
45	1687505100	PR 150 housing	1	102	4026706101	Pivot connection 4x1/8" 1170	2
46	4022106001	Oil sight glass	2	103	4026706104	Pivot connection 6x1/8" 1170	1
47	4022200052	Seal ring 52x72x10	4	104	4026713006	Inlet/outlet flange UNI2276 DN 80	2
48	4022200212	OR 2162	2	105	4026904003	Plug 1"	2
49	4022200235	OR 4325	2	106	4026904300	Venting valve 1/4"	4
50	4022216915	Water pump mech. seal	1	107	4026905002	Plug 1/4"	4
51	4022300001	Nylon filter Ø 6	1	108	4026910004	Oil tank plug 1"	1
52	4023100045	Bearing 6209/C3	1	109	1642003300	Mech. transmission cover	1
53	4023100516	Bearing 6004 RS1	2	110	1642003400	Hydr. transmission cover	1
54	4023110048	Bearing 2209 NU ECP/C3	1				
55	4023130032	Bushing 52x45x40 IR	1				
56	4024250000	Oil pump 4 outlets CW	1				

5.3 Part list layout

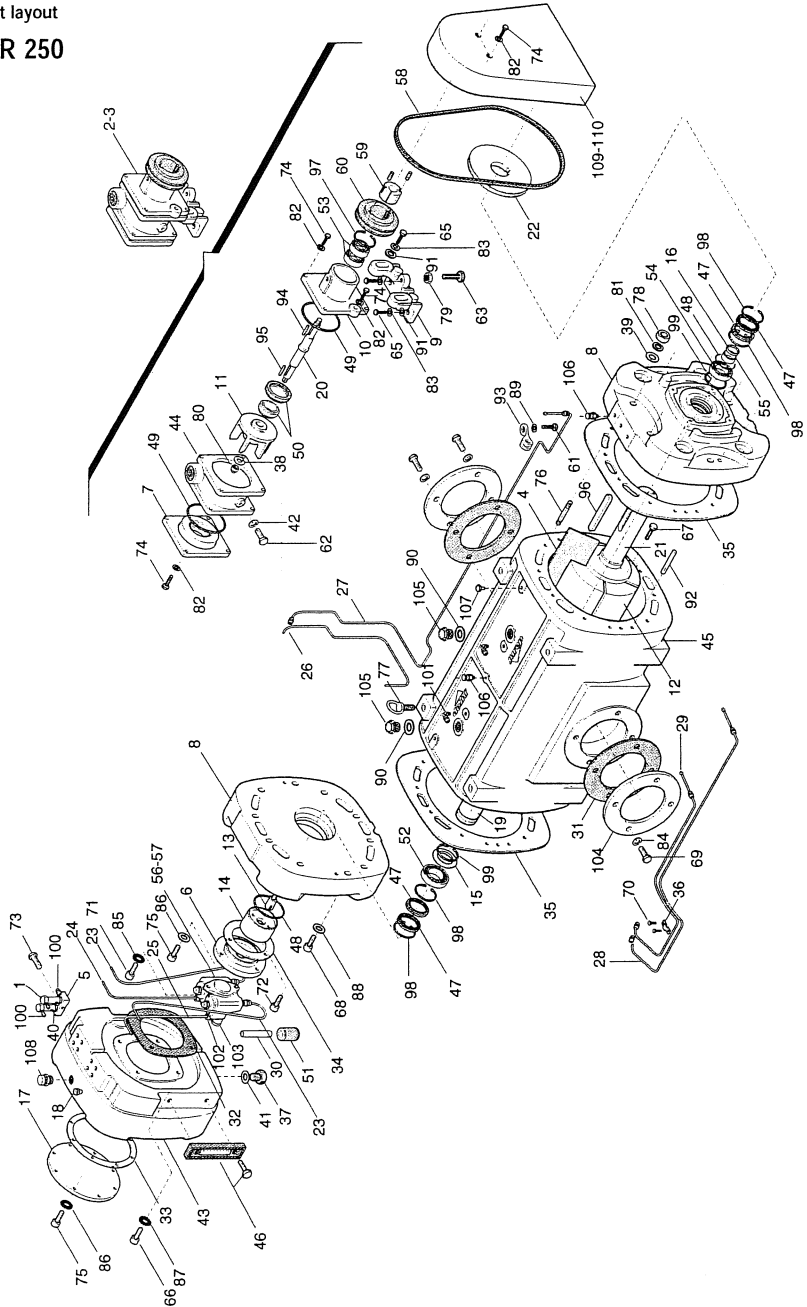
Mod. PR 200



Part list mod. PR 200

Pos.	Code	Description	Qty	Pos.	Code	Description	Qty
1	1401200700	Drip oiler	4	57	4024250500	Oil pump 4 outlets CCW	1
2	1407200800	Water recycling pump cw	1	58	4025350024	Belt SPZ 1060 texrope	1
3	1407200900	Water recycling pump ccw	1	59	4025422300	Cone bushing 2820 Ø 16	1
4	1601604900	Vane PR 200	6	60	4025422402	Pulley SPZ 71x1	1
5	1608100600	Oil block	2	61	4026101301	Screw 4.8 M 6x10	1
6	1610015000	Oil pump flange	1	62	4026101403	Screw 4.8 M 8x10	1
7	1610506500	Water pump rear flange	1	63	4026102914	Screw 8.8 M 10x60	1
8	1610506600	End plate	2	65	4026107214	Screw 8.8 M 10x40 5739	4
9	1613500900	Water pump support bracket	1	66	4026107311	Screw 8.8 M 12x30 5739	4
10	1613501000	Water pump front flange	1	67	4026141609	Screw 10.9 M 12x35 5739	12
11	1621502800	Water pump impeller	1	68	4026107306	Screw 8.8 M 12x16	4
12	1621502900	Vacuum pump PR 200 rotor	1	69	4026107514	Screw 8.8 M 16x40	8
13	1622004100	Oil pump pivot	1	70	4026120100	Screw 8.8 M 4x8	2
14	1624009600	Oil pump drive bushing	1	71	4026120300	Screw 8.8 M 6x14 5931	2
15	1624009700	Spacer 100x84x3,9	1	72	4026120303	Screw 8.8 M 6x20 5931	2
16	1624010300	Spacer 65x55x10	1	73	4026120306	Screw 8.8 M 6x30	2
17	1640100800	Oil tank lid	1	74	4026120401	Screw 8.8 M 8x16	10
18	1642600000	Oil line protection	4	75	4026120403	Screw 8.8 M 8x20 5931	11
19	1650006800	Rear shaft PR200/PR250	1	76	4026171211	Stud screw 8.8 M 12x80	20
20	1650009700	Water pump shaft	1	77	4026190002	Eye bolt M 16	2
21	1650010700	Front shaft PR200/PR250	1	78	4026301603	Nut M12 5587	20
22	1653502000	Water pump pulley SPZ 180x1	1	79	4026380006	Nut M10 5588	1
23	1663030400	Oil line pump/drip oiler	2	80	4026322106	Nut M12 sp.	1
24	1663030600	Oil line pump/drip oiler	1	81	4026350508	Grower washer 12	20
25	1663030700	Oil line pump/drip oiler	1	82	4026350505	Grower washer 8	10
26	1663030800	Oil line rear bearing	1	83	4026350608	Grower washer 10 1751	4
27	1663030900	Oil line front bearing	1	84	4026350611	Grower washer 16 1751	8
28	1663031000	Oil line housing front	1	85	4026350908	Washer M 6 6798	2
29	1663031100	Oil line housing rear	1	86	4026350909	Washer M 8 6798	11
30	1663031500	Oil line suction pipe Ø 6	1	87	4026350911	Washer M 12	4
31	1680604700	Inlet/outlet gasket	2	88	4026356107	Flat washer M 12	4
32	1680607100	Oil tank gasket	1	89	4026357003	Flat washer M 6	1
33	1680705600	Oil lid gasket	1	90	4026359001	Washer 40x33,5x1,5 AL	3
34	1680705700	Oil pump flange gasket	1	91	4026357006	Flat washer M 10	6
35	1680705800	Housing gasket	2	92	4026401812	Pin 10x60 M 6	1
36	1682000800	Pipeline fixing strip	1	93	4026426703	Rubber strip Ø 6,5	1
37	1684000000	Oil draining tap 3/8"	1	94	4026500605	Tab 5x5x18	1
38	1685002400	Safety washer	1	95	4026500609	Tab 5x5x28	1
39	1685002700	Washer 35x13x6	20	96	4026501212	Tab 16x10x110	1
40	1685100000	Drip oiler washer AL 14x20x1,5	4	97	4026510525	Seeger ring I 42 7437	1
41	1685100200	Flat washer AL 17x22x1,5	1	98	4026510547	Seeger ring I 90 7437	1
42	1685100800	Washer Ø 8 AL	1	99	4026510551	Seeger ring I 100 7437	2
43	1687100800	Oil tank	1	100	4026702000	Univ. connection 4x1/8" 1050	12
44	1687504500	Water pump housing	1	101	4026706001	Univ. connection 90° 4x1/4" 1020	12
45	1687504700	PR 200 housing	1	102	4026706101	Pivot connection 4x1/8" 1170	2
46	4022106001	Oil sight glass	2	103	4026706104	Pivot connection 6x1/8" 1170	1
47	4022200072	Seal ring 65x90x10	4	104	4026713007	Inlet/outlet flange UN12276 DN 125	2
48	4022200212	OR 2162	2	105	4026904003	Plug 1"	2
49	4022200235	OR 4325	2	106	4026904300	Venting valve 1/4"	4
50	4022216915	Water pump mech. seal	1	107	4026905002	Plug 1/4"	4
51	4022300001	Nylon filter Ø 6	1	108	4026910004	Oil tank plug 1"	1
52	4023100060	Bearing 6211/C3	1	109	1642003500	Mech. transmission cover	1
53	4023100516	Bearing 6004 RS1	2	110	1642003600	Hydr. transmission cover	1
54	4023110070	Bearing 2211 NU ECP/C3	1				
55	4023130050	Bushing 65x55x28 IR	1				
56	4024250000	Oil pump 4 outlets CW	1				

5.4 Part list layout
Mod. PR 250



Part list mod. PR 250

Pos.	Code	Description	Qty	Pos.	Code	Description	Qty
1	1401200700	Drip oiler	4	57	4024250500	Oil pump 4 outlets CCW	1
2	1407200800	Water recycling pump cw	1	58	4025350024	Belt SPZ 1060 texrope	1
3	1407200900	Water recycling pump ccw	1	59	4025422300	Cone bushing 2820 Ø 16	1
4	1601605100	Vane PR250	6	60	4025422402	Pulley SPZ 71x1	1
5	1608100600	Oil block	2	61	4026101301	Screw 4.8 M 6x10	1
6	1610015000	Oil pump flange	1	62	4026101403	Screw 4.8 M 8x10	1
7	1610506500	Water pump rear flange	1	63	4026102914	Screw 8.8 M 10x60	1
8	1610506600	End plate	2	65	4026107214	Screw 8.8 M 10x40 5739	4
9	1613500900	Water pump support bracket	1	66	4026107311	Screw 8.8 M 12x30 5739	4
10	1613501000	Water pump front flange	1	67	4026141609	Screw 10.9 M 12x35 5739	12
11	1621502800	Water pump impeller	1	68	4026107306	Screw 8.8 M 12x16	4
12	1621503000	Vacuum pump PR 250 rotor	1	69	4026107514	Screw 8.8 M 16x40	8
13	1622004100	Oil pump pivot	1	70	4026120100	Screw 8.8 M 4x8	2
14	1624009600	Oil pump drive bushing	1	71	4026120300	Screw 8.8 M 6x14 5931	2
15	1624009700	Spacer 100x84x3,9	1	72	4026120303	Screw 8.8 M 6x20 5931	2
16	1624010300	Spacer 65x55x10	1	73	4026120306	Screw 8.8 M 6x30	2
17	1640100800	Oil tank lid	1	74	4026120401	Screw 8.8 M 8x16	10
18	1642600000	Oil line protection	4	75	4026120403	Screw 8.8 M 8x20 5931	11
19	1650006800	Rear shaft PR200/PR250	1	76	4026171211	Stud screw 8.8 M 12x80	20
20	1650009700	Water pump shaft	1	77	4026190002	Eye bolt M 16	2
21	1650010700	Front shaft PR200/PR250	1	78	4026301603	Nut M12 5587	20
22	1653502000	Water pump pulley SPZ 180x1	1	79	4026308006	Nut M10 5588	1
23	1663030400	Oil line pump/drip oiler	2	80	4026322106	Nut M12 sp.	1
4	1663030600	Oil line pump/drip oiler	81	81	4026350508	Grower washer 12	20
25	1663030700	Oil line pump/drip oiler	1	82	4026350505	Grower washer 8	10
26	1663030800	Oil line rear bearing	1	83	4026350608	Grower washer 10 1751	4
27	1663031200	Oil line front bearing	1	84	4026350611	Grower washer 16 1751	8
28	1663031300	Oil line housing front	1	85	4026350908	Washer M 6 6798	2
29	1663031400	Oil line housing rear	1	86	4026350909	Washer M 8 6798	11
30	1663031500	Oil line suction pipe Ø 6	1	87	4026350911	Washer M 12	4
31	1680604800	Inlet/outlet gasket	2	88	4026356107	Flat washer M 12	4
32	1680607100	Oil tank gasket	1	89	4026357003	Flat washer M 6	1
33	1680705600	Oil lid gasket	1	90	4026359001	Washer 40x33,5x1,5 AL	3
34	1680705700	Oil pump flange gasket	1	91	4026357006	Flat washer M 10	6
35	1680705800	Housing gasket	2	92	4026401812	Pin 10x60 M 6	1
36	1682000800	Pipeline fixing strip	1	93	4026426703	Rubber strip Ø 6,5	4
37	1684000000	Oil draining tap 3/8"	1	94	4026500605	Tab 5x5x18	1
38	1685002400	Safety washer	1	95	4026500609	Tab 5x5x28	1
39	1685002700	Washer 35x13x6	20	96	4026501212	Tab 16x10x110	1
40	1685100000	Drip oiler washer AL 14x20x1,5	4	97	4026510525	Seeger ring I 42 7437	1
41	1685100200	Flat washer AL 17x22x1,5	1	98	4026510547	Seeger ring I 90 7437	2
42	1685100800	Washer Ø 8 AL	1	99	4026510551	Seeger ring I 100 7437	4
43	1687100800	Oil tank	1	100	4026702000	Univ. connection 4x1/8" 1050	12
44	1687504500	Water pump housing	1	101	4026706001	Univ. connection 90° 4x1/4" 1020	2
45	1687504600	PR 250 housing	1	102	4026706101	Pivot connection 4x1/8" 1170	2
46	4022106001	Oil sight glass	2	103	4026706104	Pivot connection 6x1/8" 1170	1
47	4022200072	Seal ring 65x90x10	4	104	4026713008	Inlet/outlet flange UNI2276 DN 125	2
48	4022200212	OR 2162	2	105	4026904003	Plug 1"	2
49	4022200235	OR 4325	2	106	4026904300	Venting valve 1/4"	4
50	4022216915	Water pump mech. seal	1	107	4026905002	Plug 1/4"	4
51	4022300001	Nylon filter Ø 6	1	108	4026910004	Oil tank plug 1"	1
52	4023100060	Bearing 6211/C3	1	109	1642003500	Mech. transmission cover	1
53	4023100516	Bearing 6004 RS1	2	110	1642003600	Hydr. transmission cover	1
54	4023110070	Bearing 2211 NU ECP/C3	1				
55	4023130050	Bushing 65x55x28 IR	1				
56	4024250000	Oil pump 4 outlets CW	1				