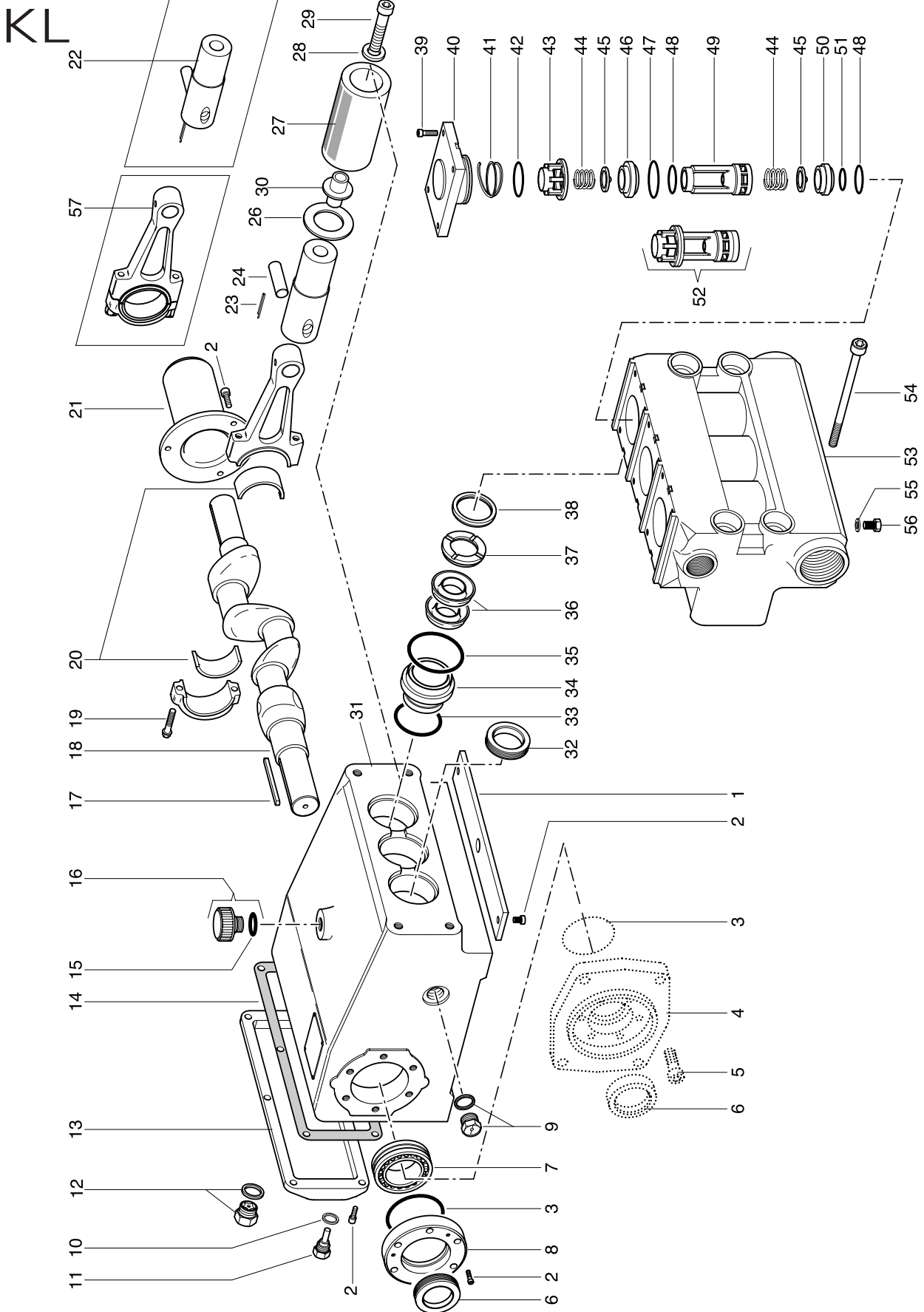


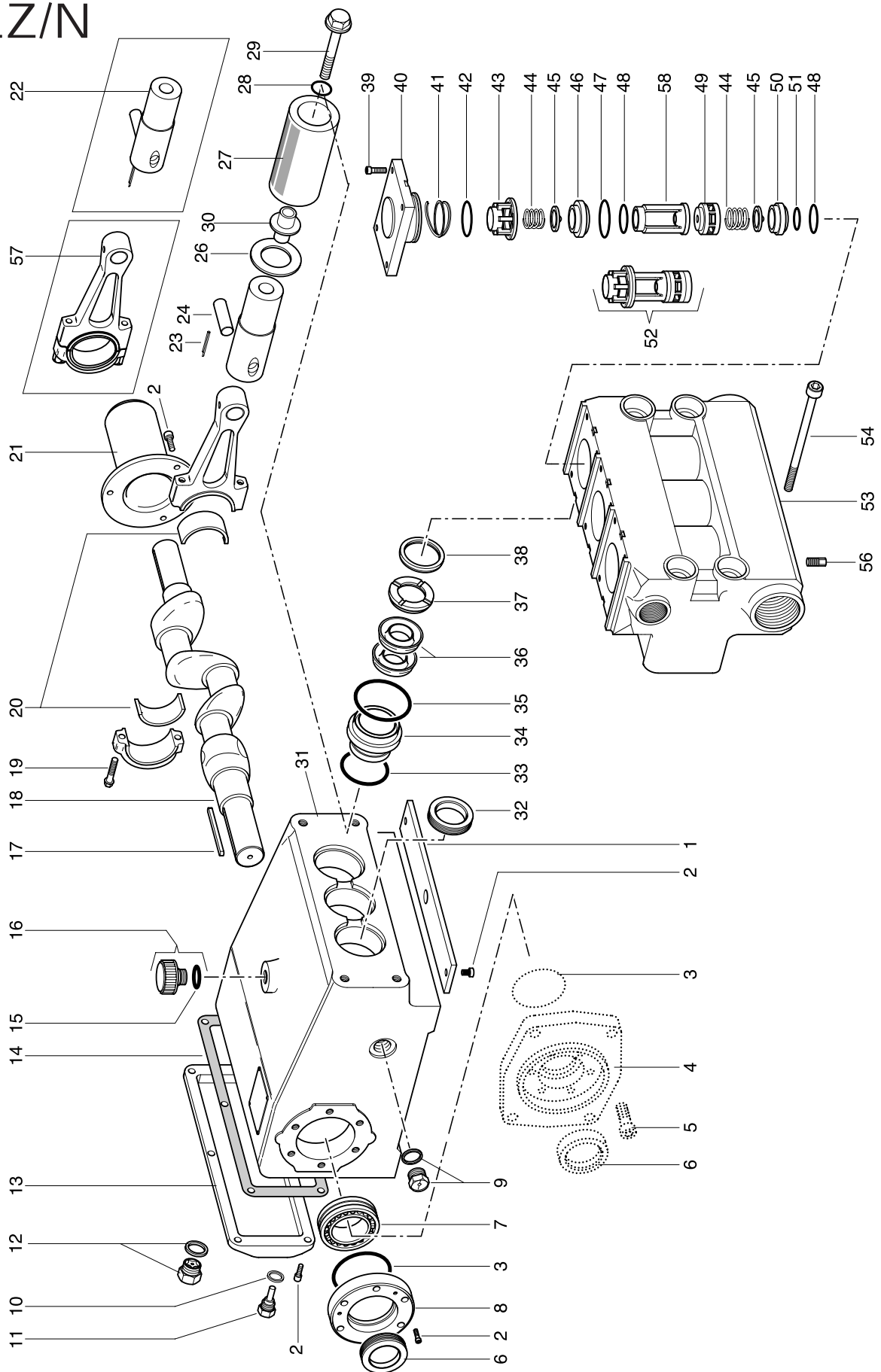
17. EXPLODED VIEW AND PART LIST



POS	CODE	KIT	DESCRIPTION	Qt.
1	0400.0013.0		Lower cover	1
2	8711.1515.3		Screw TCEI M6 x 16	17-23
3	8810.1310.0	C	OR Ø 80 x 2,5	2
4	0101.0005.0		Hydraulic motor flange (A type)	1
	0101.0004.0		Hydraulic motor flange (B type)	1
5	8711.2515.4		Screw TCEI M10 x 30	6
6	8810.8001.4	C	Oil seal Ø 40 x 60 x 10	2
7	8111.1000.2		Bearing 22208	2
8	0634.0010.0		Bearing cover	1-2
9	8010.5300.2		Oil level indicator G 1/2"	1
10	8720.4300.1	C	Aluminium washer Ø 3/8"	1
11	8010.5700.1		Magnetic plug G 3/8"	1
12	8010.5300.3		Oil level indicator G 3/4"	1
13	0634.0012.0		Back cover	1
14	0806.0000.0	C	Back cover gasket	1
15	8810.1117.3	C	OR Ø 18 x 3	1
16	8010.5400.2		Oil filling plug G 1/2"	1
17	0710.0003.0		Crankshaft key	1
18	0500.0003.0		Crankshaft	1
19	8713.5000.2		Con rod screw	6
20	8120.0000.2		Brass bearing	3
21	0404.0001.0		Crankshaft end cap	1
22	2500.0102.0		Guide piston (complete)	3
23	8721.3801.0	C	Retainer pin Ø 2,5 x 22	3
24	0710.0002.0		Wrist pin Ø 20	3
26	0412.0000.0		Wiper	3
27	0242.0009.0		Plunger KL30	3
	0242.0010.0		Plunger KL33	3
	0242.0011.0		Plunger KL36	3
	0242.0012.0		Plunger KL40	3
	0242.0013.0		Plunger KL45	3
	0242.0014.0		Plunger KL50	3
28	8720.4000.3	AC	Washer Ø 12 Spec.	3
29	8711.3151.8		Screw TCEI M12x110 inox KL30-33-36-40	3
	8711.3150.9		Screw TCEI M12x60 inox KL45-50	3
31	0601.0012.0		Pump body	1
	0601.0013.0		Pump body (hydraulic drive)	1
32	8810.8100.2	C	Oil seal Ø 38 x 52 x 7—Spec.	3
33	8810.1001.2	AC	OR Ø 50,52 x 1,78	3
34	0223.0009.0		Packing support KL30	3
	0223.0010.0		Packing support KL33	3
	0223.0011.0		Packing support KL36	3
	0223.0012.0		Packing support KL40	3
	0223.0013.0		Packing support KL45	3
	0223.0014.0		Packing support KL50	3
35	8810.1001.1	AC	OR Ø 47,34 x 1,78—KL30	3
	8810.1001.2	AC	OR Ø 50,52 x 1,78—KL33-36-40	3
	8810.1001.3	AC	OR Ø 56,87 x 1,78—KL45-50	3
36	8810.2000.8	AC	Pressure packing KL30	6
	8810.2000.9	AC	Pressure packing KL33	6
	8810.2001.0	AC	Pressure packing KL36	6
	8810.2001.1	AC	Pressure packing KL40	6
	8810.2001.2	AC	Pressure packing KL45	6
	8810.2001.3	AC	Pressure packing KL50	6

POS	CODE	KIT	DESCRIPTION	Qt.
37	0312.0007.0		Packing ring KL30	3
	0312.0008.0		Packing ring KL33	3
	0312.0009.0		Packing ring KL36	3
	0312.0010.0		Packing ring KL40	3
	0312.0011.0		Packing ring KL45	3
	8810.2500.2	AC	Packing ring KL50	3
38	0313.0000.0		Spacer ring KL30	3
	0313.0001.0		Spacer ring KL33	3
	0313.0002.0		Spacer ring KL36-40	3
	0313.0003.0		Spacer ring KL45-50	3
39	8711.2195.4		Screw TCEI M8 x 25—Spec.	12
40	0633.0002.0		Valve cover	2
	0633.0001.0		Valve cover G 1/4"	1
41	8811.1200.1	BC	Antiextrusion ring	3
42	8810.1021.4	BC	OR Ø 49,21 x 3,53 Spec.	3
43	0213.0001.0		Delivery valve guide	3
44	0902.0002.0		Valve spring	6
45	0822.0002.0		Valve disk	6
46	0812.0003.0		Delivery valve seat	3
47	8810.1116.0	BC	OR Ø 50,50 x 3 Spec.	3
48	8810.1115.7	BC	OR Ø 36 x 3 Spec.	6
	0213.0037.0		Suction valve guide KL30-33	3
49	0213.0032.0		Suction valve guide KL36-40-45-50	3
	0812.0002.0		Suction valve seat	3
51	8810.1001.0	BC	OR Ø 25,12 x 1,78 Spec.	3
52	2080.0466.0		Valve assembly KL30—33	3
	2080.0467.0		Valve assembly KL 36-40-45-50	3
53	0641.0011.0		Manifold KL30	1
	0641.0013.0		Manifold KL33	1
	0641.0014.0		Manifold KL36-40	1
	0641.0017.0		Manifold KL45-50	1
54	8711.4116.9		Screw TCEI M16 x 150	4
55	8720.4300.0	BC	Aluminium washer Ø 1/4"	3
56	0843.9000.0		Brass plug G1/4"	3
57	25000005.0		Con rod (complete)	3

KLZ/N



POS	CODE	KIT	DESCRIPTION	Qt.
1	0400.0013.0		Lower cover	1
2	8711.1560.3		Screw TCEI M6 x 16 inox	17-23
3	8810.1310.0	C	OR Ø 80 x 2,5	2
4	0101.0005.0		Hydraulic motor flange (A type)	1
	0101.0004.0		Hydraulic motor flange (B type)	1
5	8711.2560.6		Screw TCEI M10 x 30 inox	6
6	8810.8001.4	C	Oil seal Ø 40 x 60 x 10	2
7	8111.1000.2		Bearing 22208	2
8	0634.0068.0		Bearing cover	1-2
9	8010.5300.2		Oil level indicator G 1/2"	1
10	0303.0000.0	C	Washer Ø 3/8" NK	1
11	8010.5701.1		Magnetic plug G 3/8"	1
12	8010.5300.3		Oil level indicator G 3/4"	1
13	0634.0065.0		Back cover	1
14	0806.0000.0	C	Back cover gasket	1
15	8810.1117.3	C	OR Ø 18 x 3	1
16	8010.5400.2		Oil filling plug G 1/2"	1
17	0710.0003.0		Crankshaft key	1
18	0500.0003.0		Crankshaft	1
19	8713.5000.2		Con rod screw	6
20	8120.0000.2		Brass bearing	3
21	0404.0001.0		Crankshaft end cap	1
22	2500.0102.0		Guide piston (complete)	3
23	8721.3801.0	C	Retainer pin Ø 2,5 x 22	3
24	0710.0002.0		Wrist pin Ø 20	3
26	0412.0000.0		Wiper	3
	0242.0101.0		Plunger KLZ/N30	3
	0242.0102.0		Plunger KLZ/N33	3
27	0242.0103.0		Plunger KLZ/N36	3
	0242.0104.0		Plunger KLZ/N40	3
	0242.0105.0		Plunger KLZ/N45	3
	0242.0106.0		Plunger KLZ/N50	3
28	8810.1106.2	AC	OR Ø 14 x 2 Spec.	3
29	0352.0015.0		Plunger screw	3
30	0102.0021.0		Plunger bush	3
	0601.0012.0		Pump body	1
	0601.0013.0		Pump body (hydraulic drive)	1
32	8810.8100.2	C	Oil seal Ø 38 x 52 x 7—Spec.	3
33	8810.1001.2	AC	OR Ø 50,52 x 1,78	3
	0223.0015.0		Packing support KLZ/N30	3
	0223.0016.0		Packing support KLZ/N33	3
34	0223.0017.0		Packing support KLZ/N36	3
	0223.0018.0		Packing support KLZ/N40	3
	0223.0019.0		Packing support KLZ/N45	3
	0223.0020.0		Packing support KLZ/N50	3
	8810.1001.1	AC	OR Ø 47,34 x 1,78—KLZ/N30	3
35	8810.1001.2	AC	OR Ø 50,52 x 1,78—KLZ/N33-36-40	3
	8810.1001.3	AC	OR Ø 56,87 x 1,78—KLZ/N45-50	3
	8810.2000.8	AC	Pressure packing KLZ/N30	6
	8810.2000.9	AC	Pressure packing KLZ/N33	6
	8810.2001.0	AC	Pressure packing KLZ/N36	6
36	8810.2001.1	AC	Pressure packing KLZ/N40	6
	8810.2001.2	AC	Pressure packing KLZ/N45	6
	8810.2001.3	AC	Pressure packing KLZ/N50	6

POS	CODE	KIT	DESCRIPTION	Qt.
	0312.0012.0		Packing ring KLZ/N30	3
	0312.0013.0		Packing ring KLZ/N33	3
	0312.0014.0		Packing ring KLZ/N36	3
37	0312.0015.0		Packing ring KLZ/N40	3
	0312.0016.0		Packing ring KLZ/N45	3
	8810.2500.2	AC	Packing ring KLZ/N50	3
	0313.0017.0		Spacer ring KLZ/N30	3
	0313.0018.0		Spacer ring KLZ/N33	3
38	0313.0019.0		Spacer ring KLZ/N36-40	3
	0313.0020.0		Spacer ring KLZ/N45-50	3
39	0350.0006.0		Screw TCEI M8 x 25—Spec.	12
	0632.0001.0		Valve cover KLZ/N	3
40	0633.0009.0		Valve cover KLA	3
41	8811.1200.1	BC	Antiextrusion ring	3
42	8810.1021.4	BC	OR Ø 49,21 x 3,53 Spec.	3
	0212.0005.0		Delivery valve guide KLZ/N	3
43	0213.0027.0		Delivery valve guide KLA	3
	0902.0002.0		Valve spring KLZ/N	6
44	0902.0003.0		Valve spring KLA	6
	0822.0002.0		Valve disk KLZ/N	6
45	0822.0003.0		Valve disk KLA	6
	0812.0003.0		Delivery valve seat KLZ/N	3
46	0812.0005.0		Delivery valve seat KLA	3
47	8810.1116.0	BC	OR Ø 50,50 x 3 Spec.	3
48	8810.1115.7	BC	OR Ø 36 x 3 Spec.	6
	0212.0003.0		Suction valve guide KLZ/N	3
49	0213.0025.0		Suction valve guide KLA	3
	0812.0002.0		Suction valve seat KLZ/N	3
50	0812.0004.0		Suction valve seat KLA	3
51	8810.1001.0	BC	OR Ø 25,12 x 1,78 Spec.	3
	2080.0593.0		Valve assembly KLZ30—33	3
	2080.0647.0		Valve assembly KLA30—33	3
52	2080.0677.0		Valve assembly KLN30—33	3
	2080.0594.0		Valve assembly KLZ36-40-45-50	3
	2080.0648.0		Valve assembly KLA36-40-45-50	3
	2080.0678.0		Valve assembly KLN36-40-45-50	3
	0642.0009.0		Manifold KLZ/N30	1
	0643.0009.0		Manifold KLA30	1
	0642.0011.0		Manifold KLZ/N33	1
53	0643.0010.0		Manifold KLA33	1
	0642.0012.0		Manifold KLZ/N36-40	1
	0643.0001.0		Manifold KLA36-40	1
	0642.0014.0		Manifold KLZ/N45-50	1
	0643.0003.0		Manifold KLA45-50	1
54	0350.0014.0		Screw TCEI M16 x 150 Spec.	4
56	0842.0000.0		Tapered plug G3/8" inox	3
57	2500.0005.0		Con rod (complete)	3
	0702.0000.0		Valve spacer KLZ/N30-33	3
	0703.0004.0		Valve spacer KLA30-33	3
58	0702.0002.0		Valve spacer KLZ/N36-40-45-50	3
	0703.0006.0		Valve spacer KLA36-40-45-50	3